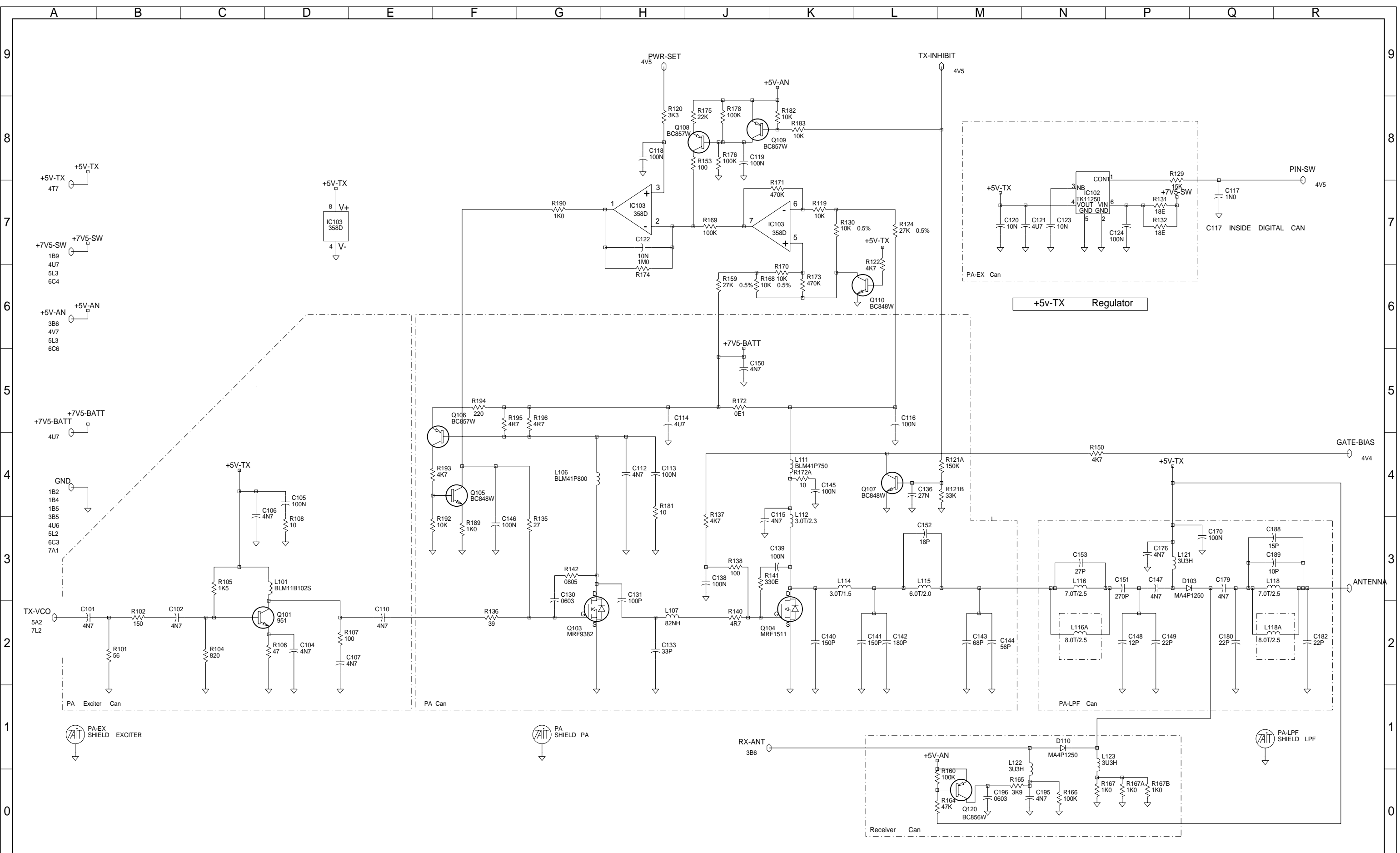


# SUB-VHF

Tait Orca

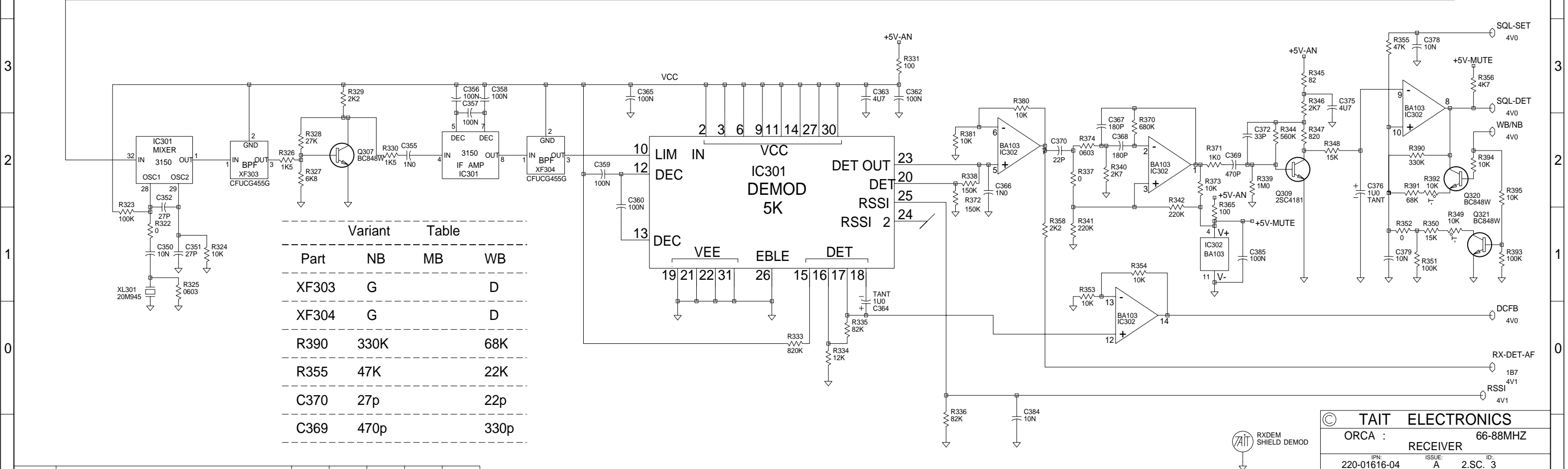
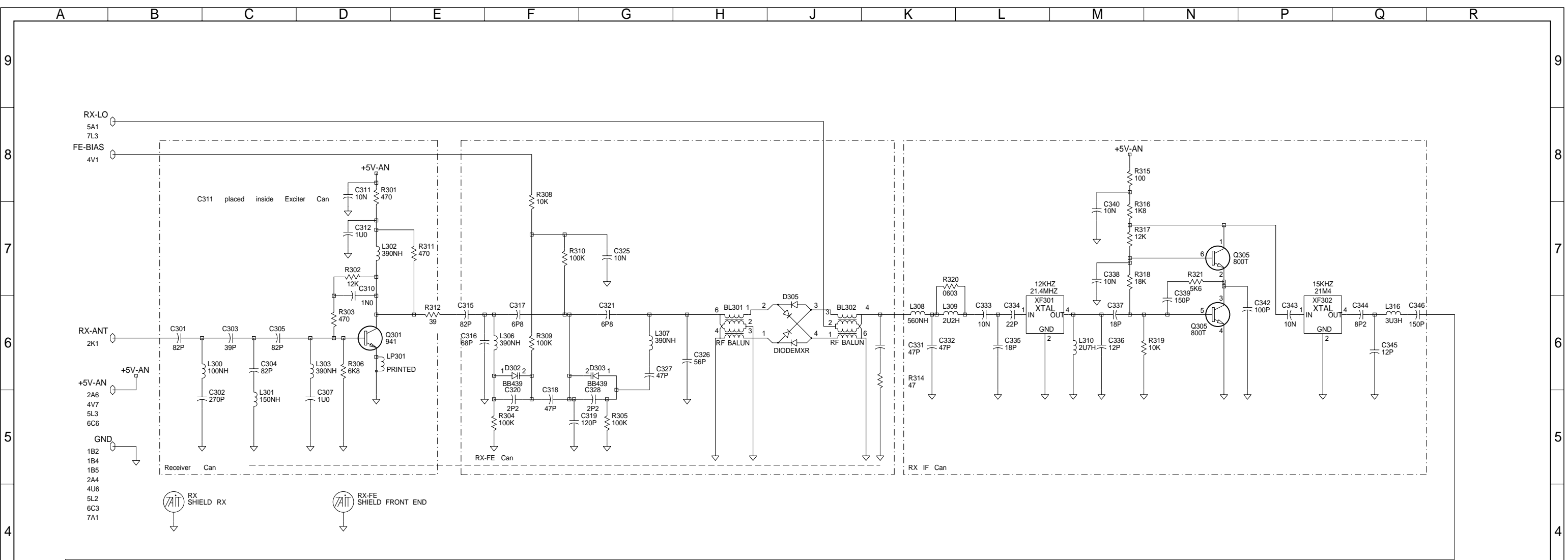
© TAIT ELECTRONICS	
ORCA :	66-88MHZ
SYSTEM DIAGRAM	
IPN:	ID:
220-01616-04	A 2.S.C. 1
PROJECT:	DESIGNER:
TAIT ORCA	BRD
FILE NAME:	FILE DATE:
161604a	24-Nov-99
NO.SHEETS:	
7	

04A	CLONED	220-01616-01	CCO	1616/006	BRD	SP	CK	DW	24/11/99
REV/ISS	AMENDMENTS				DRAWN	CHKD	D.O.	APVD	DATE



© TAIT ELECTRONICS  
 ORCA : 66-88MHZ POWER AMPLIFIER  
 IPN: 220-01616-04 ISSUE: A ID: 2.S.C. 2  
 PROJECT: TAIT ORCA DESIGNER: BRD FILE NAME: 161604a FILE DATE: 24-Nov-99 NO.SHEETS: 7

REV/ISS	AMENDMENTS	DRAWN	CHKD	D.O.	APVD	DATE
A						

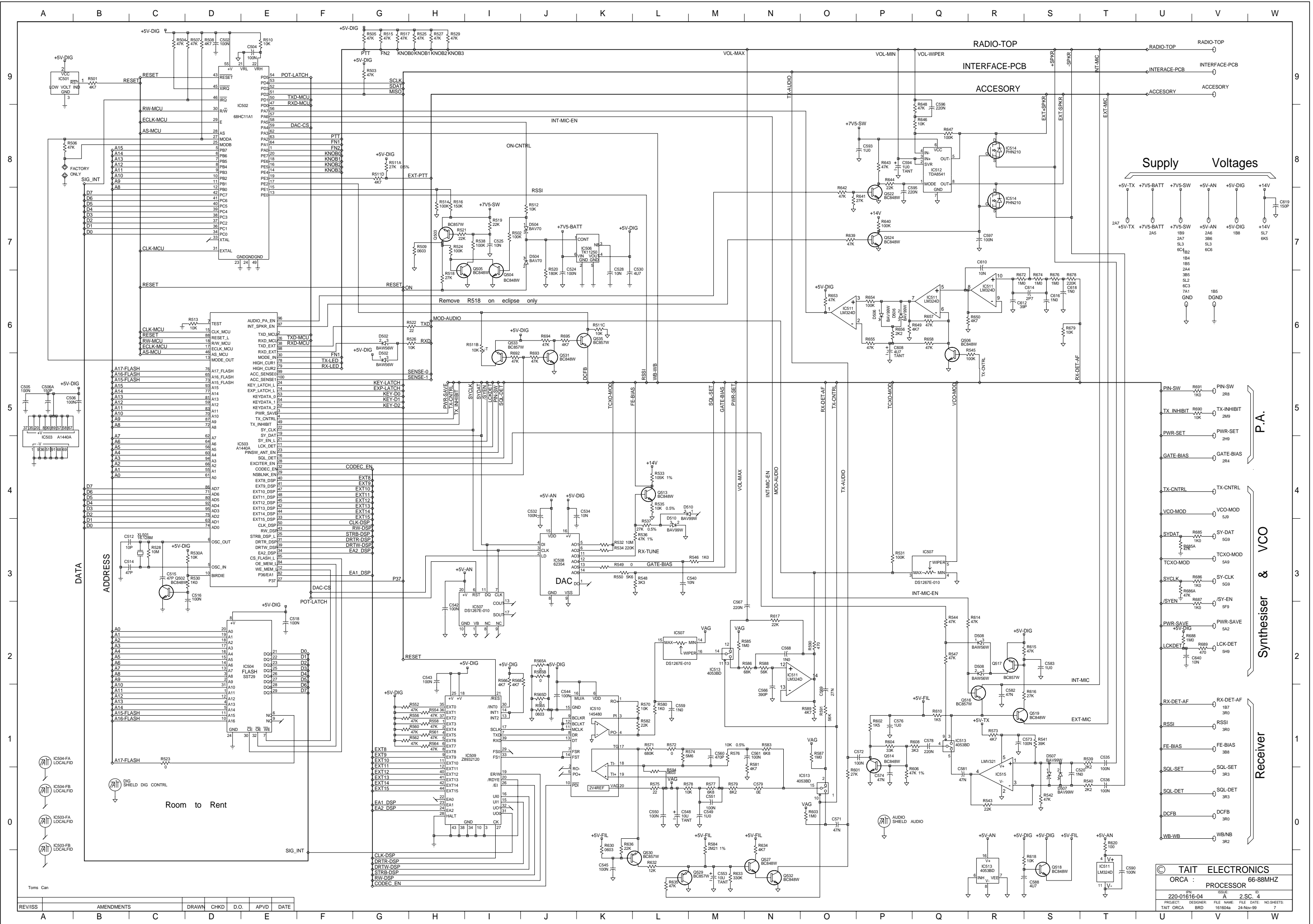


Variant Table

Part	NB	MB	WB
XF303	G		D
XF304	G		D
R390	330K		68K
R355	47K		22K
C370	27p		22p
C369	470p		330p

REV/ISS	AMENDMENTS	DRAWN	CHKD	D.O.	APVD	DATE

**TAIT ELECTRONICS**  
 ORCA : RECEIVER 66-88MHZ  
 IPN: 220-01616-04 ISSUE: A 2.SC. 3 ID:  
 PROJECT: TAIT ORCA BRD DESIGNER: FILE NAME: 161604a DATE: 24-Nov-99 NO.SHEETS: 7

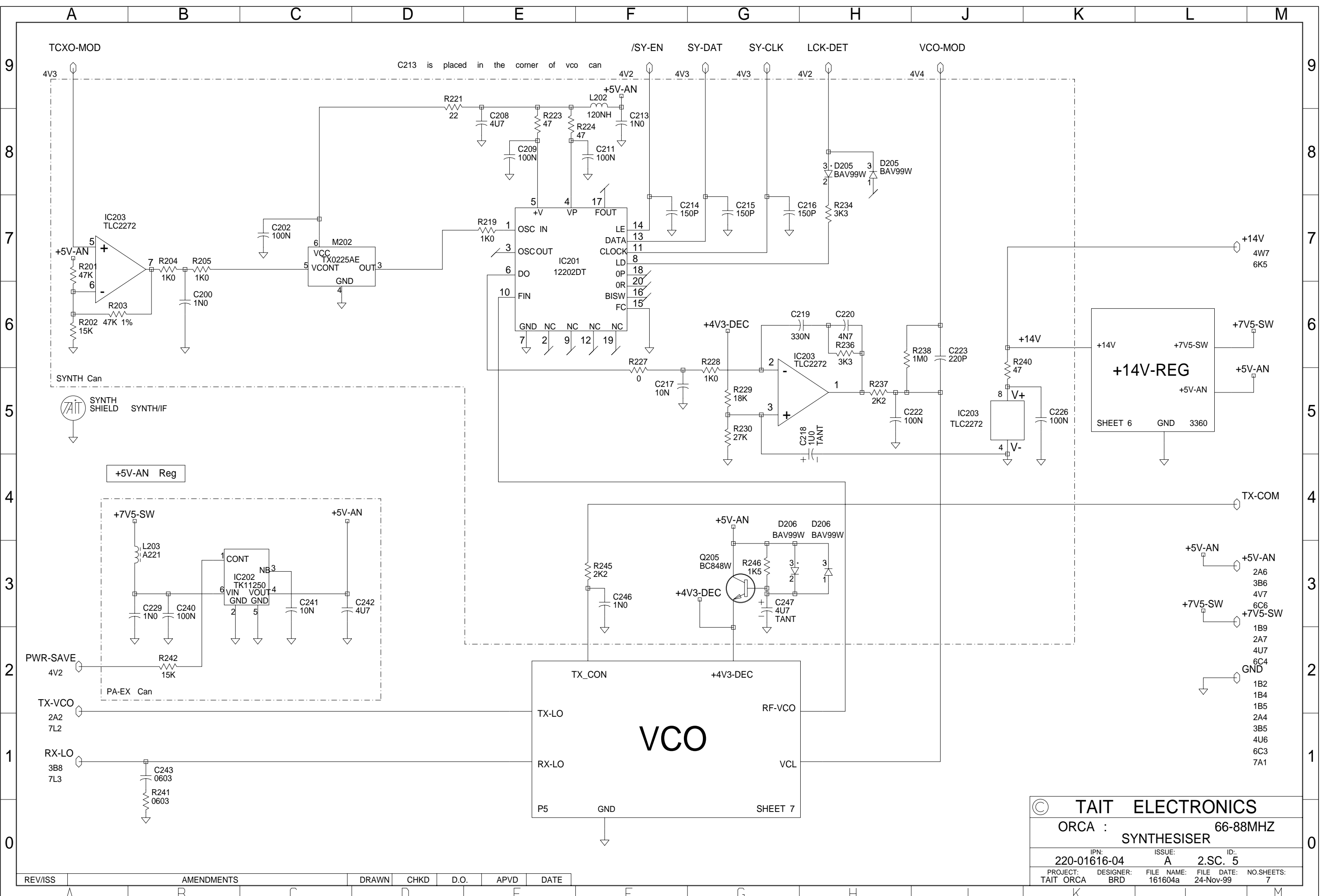


© TAIT ELECTRONICS	
ORCA :	PROCESSOR 66-88MHZ
220-01616-04	2-SC-4
TAIT ORCA BRD	161604a 24-Nov-99

REV/ISS	AMENDMENTS	DRAWN	CHKD	D.O.	APVD	DATE

Toms Can

Room to Rent



C213 is placed in the corner of vco can

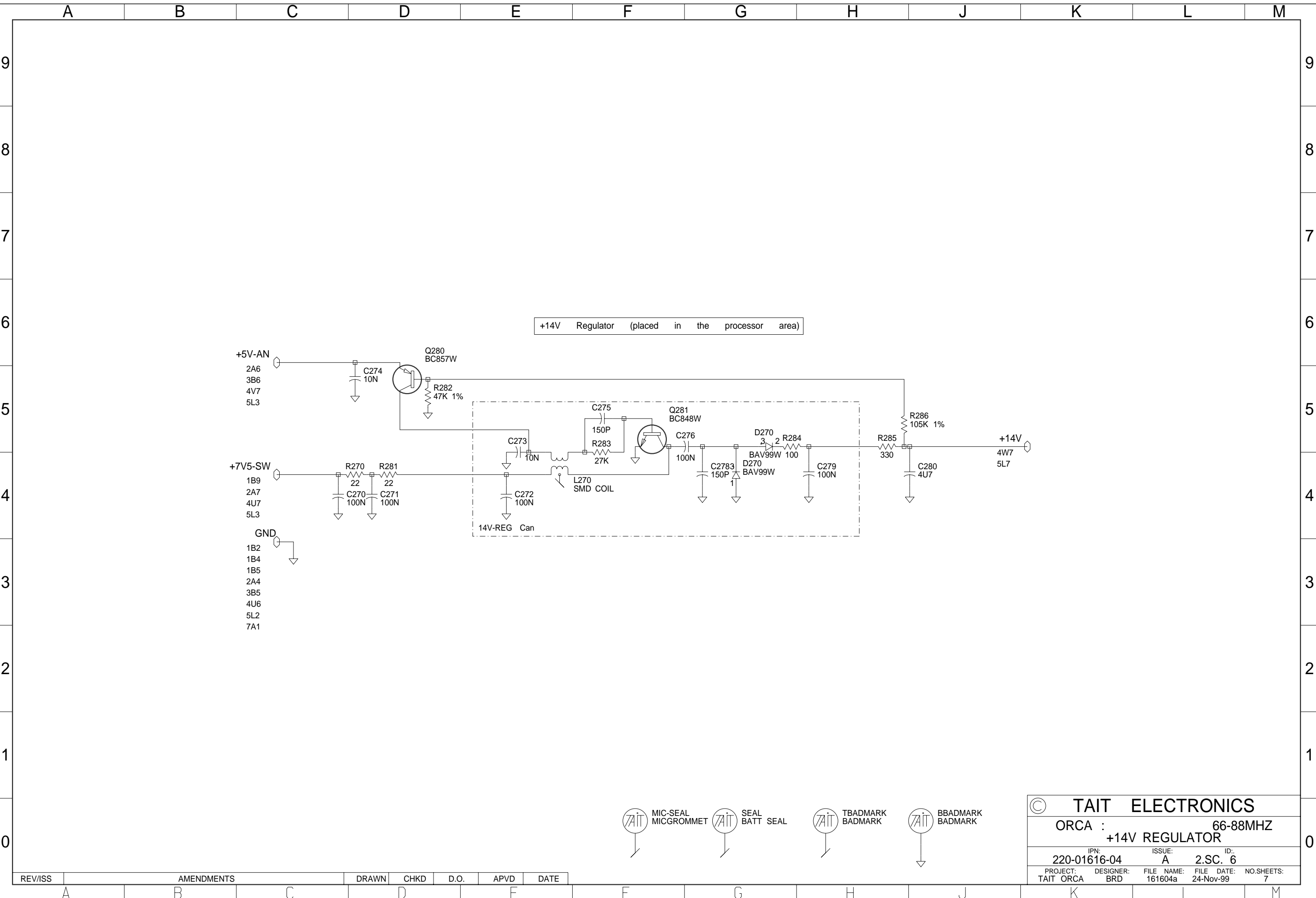
**+14V-REG**  
SHEET 6  
GND 3360

**VCO**  
SHEET 7  
P5 GND

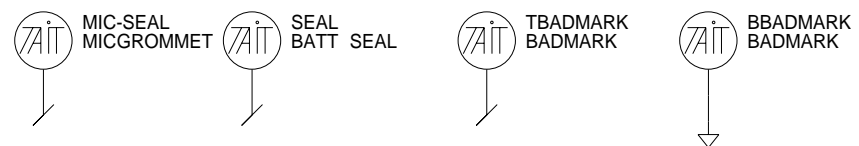
© TAIT ELECTRONICS	
ORCA :	66-88MHZ
SYNTHESISER	
IPN: 220-01616-04	ISSUE: A
ID: 2.SC. 5	
PROJECT: TAIT ORCA	DESIGNER: BRD
FILE NAME: 161604a	FILE DATE: 24-Nov-99
NO.SHEETS: 7	

REV/ISS	AMENDMENTS	DRAWN	CHKD	D.O.	APVD	DATE

- +5V-AN 2A6
- +5V-AN 3B6
- +5V-AN 4V7
- +7V5-SW 6C6
- +7V5-SW 1B9
- +7V5-SW 2A7
- +7V5-SW 4U7
- +7V5-SW 6C4
- GND 1B2
- GND 1B4
- GND 1B5
- GND 2A4
- GND 3B5
- GND 4U6
- GND 6C3
- GND 7A1

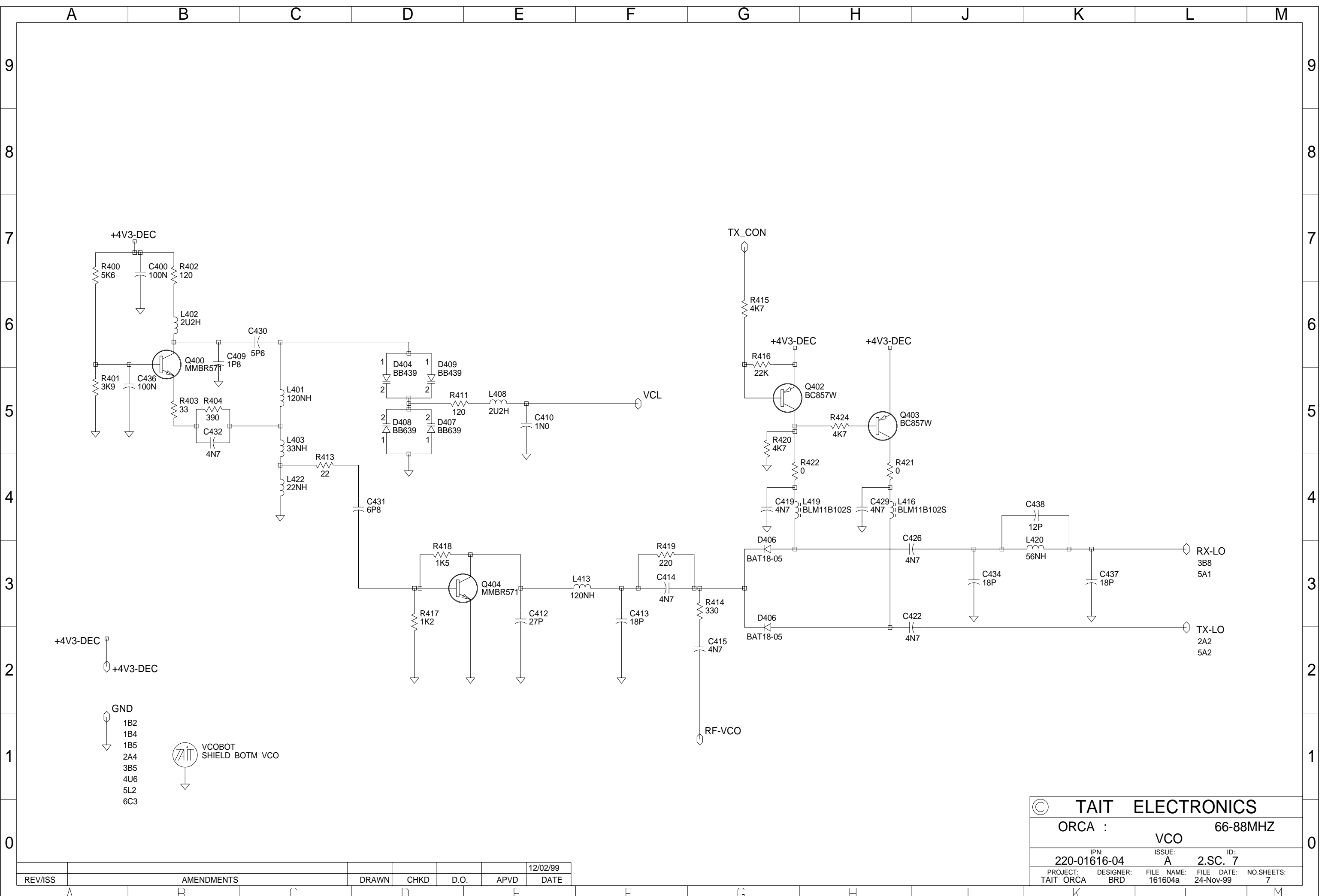


+14V Regulator (placed in the processor area)



© TAIT ELECTRONICS				
ORCA :		66-88MHZ		
		+14V REGULATOR		
IPN:	ISSUE:	ID:		
220-01616-04	A	2.SC. 6		
PROJECT:	DESIGNER:	FILE NAME:	FILE DATE:	NO.SHEETS:
TAIT ORCA	BRD	161604a	24-Nov-99	7

REV/ISS	AMENDMENTS	DRAWN	CHKD	D.O.	APVD	DATE
---------	------------	-------	------	------	------	------



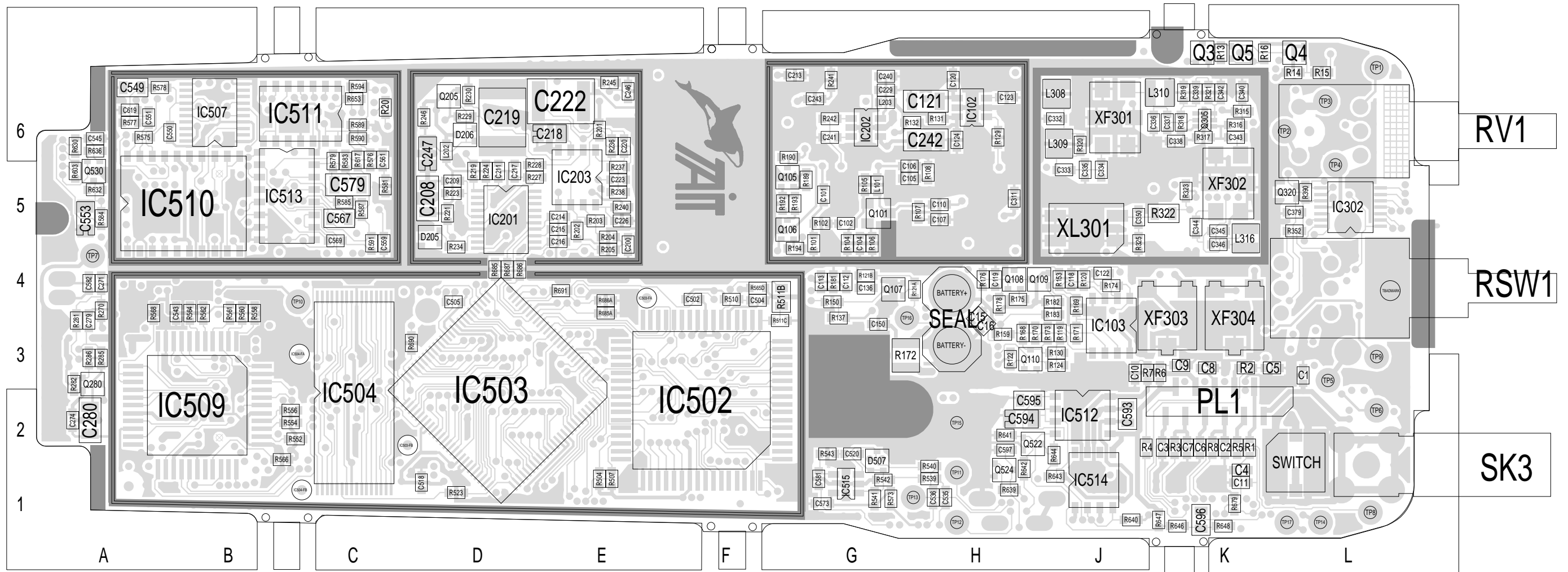
© TAIT ELECTRONICS	
ORCA :	66-88MHZ
VCO	
IPN: 220-01616-04	ISSUE: A ID: 2.SC. 7
PROJECT: TAIT ORCA	DESIGNER: BRD FILE NAME: 161604a FILE DATE: 24-Nov-99 NO.SHEETS: 7

REV/ISS	AMENDMENTS	DRAWN	CHKD	D.O.	APVD	DATE
						12/02/99

AUDIO

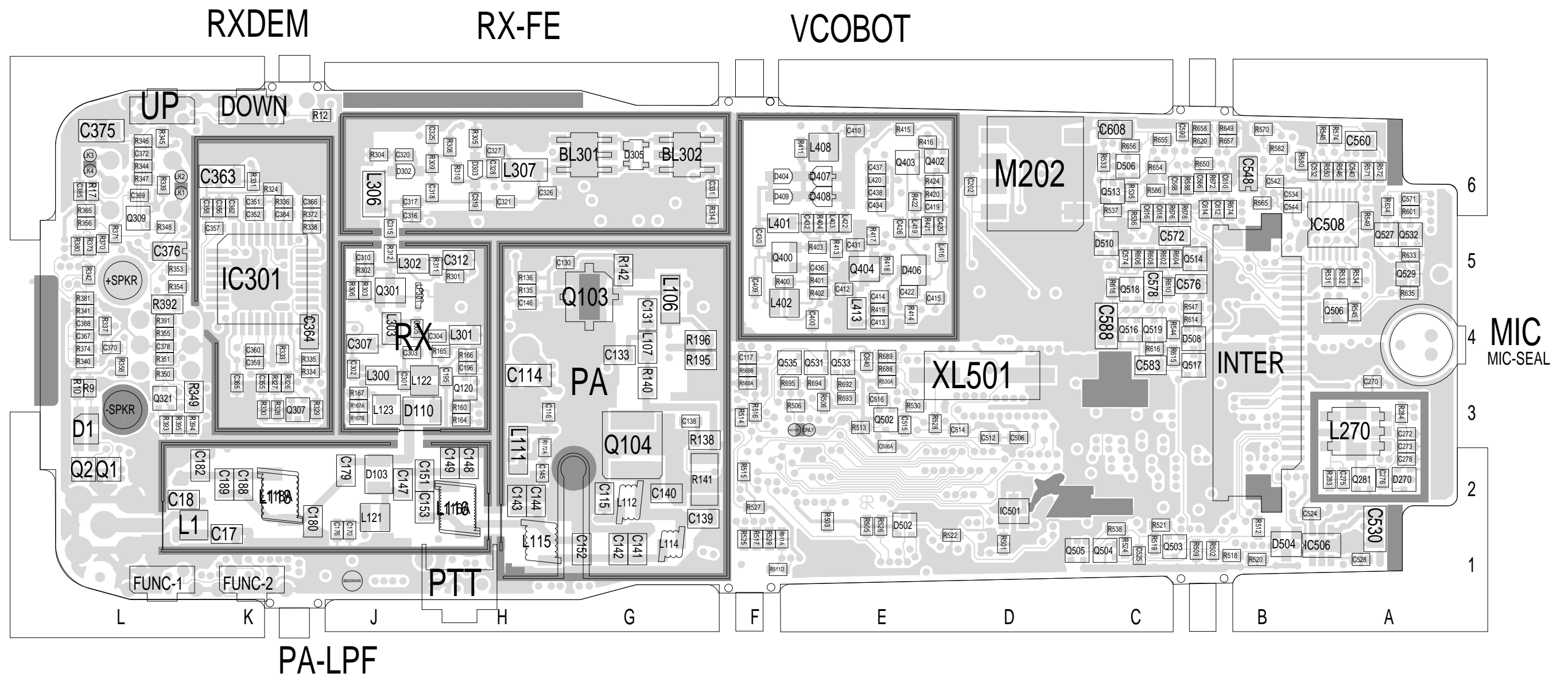
SYNTH

PA-EX



TAIT ELECTRONICS IPN: 220-01616-04 ISS: A ID: 1.TA DATE: 24 Nov 1999  
 SUB VHF PCB LAYOUT - TOP SIDE





TAIT ELECTRONICS IPN: 220-01616-04 ISS: A ID: 6.BA DATE: 24 Nov 1999  
 SUB VHF PCB LAYOUT - BOTTOM SIDE

Scale: 2.3:1 ; Rotation: 0 degrees